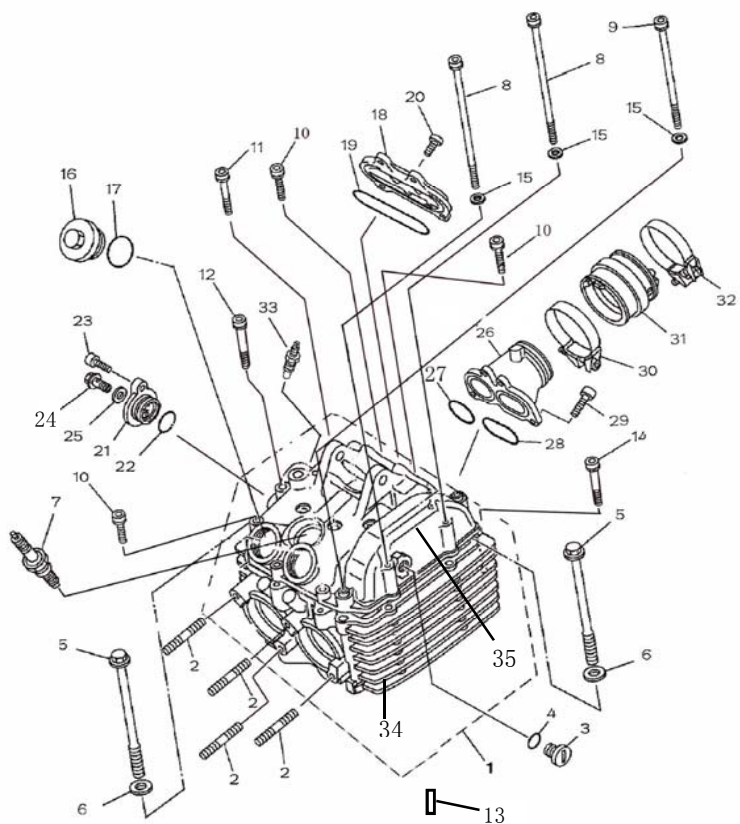


UTV700 ENGINE PARTS

FIG.101

01. CYLINDER HEAD

S/N	Parts Number	Part Name And Standard
1	101170001	Cylinder Head Assy
2	101170002	Stud Bolt M8×45
3	101170003	Observation Hole Cover
4	101170004	O-Ring 13.4×2.35
5	101170005	Bolt M9×109
6	101170006	Washer 10×19×2
7	101170007	Spark Plug(Ngk Dpr8Ea)
8	101170008	Bolt M6×130
9	101170009	Bolt M6×115
10	101170010	Bolt M6×25
11	101170011	Bolt M6×40
12	101170012	Bolt M6×55
13	101170013	Cylinder Head Cover Pin
14	101170014	Bolt M6×50
15	101170015	Washer 6.5×11.3×1.6
16	101170016	Outlet Valve Cover
17	101170017	O-Rin 31.7×2.4
18	101170018	Inlet Valve Cover
19	101170019	O-Ring 71.5×3

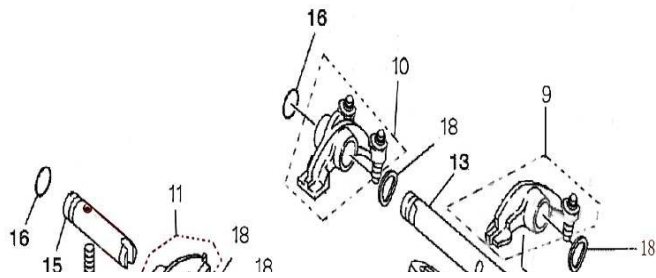


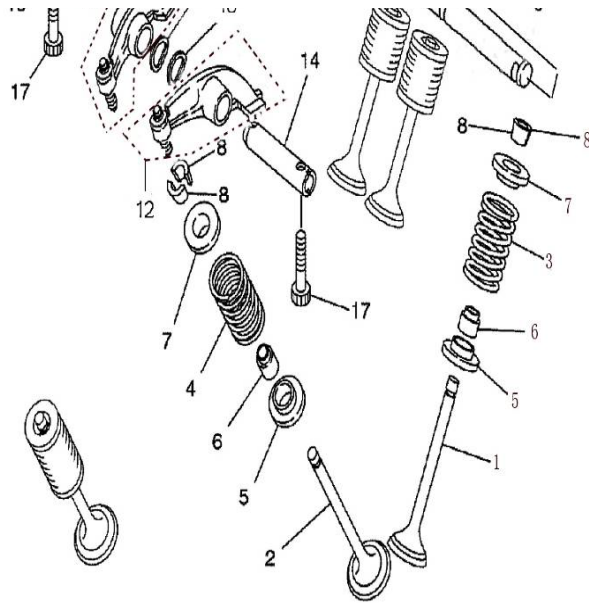
20	101170020	Bolt M6×18
21	101170021	Cap Tensioner Case
22	101170022	O-Ring 18.7×2.45
23	101170023	Bolt M6×20
24	101170024	Bolt M6×14
25	101170025	Washer 6.2×13×1.5
26	101170026	Intake Pipe Assy
27	101170027	O-Ring 32.4×2
28	101170028	O-Ring 43.6×2
29	101170023	Bolt M6×20
30	101170030	Clamp Inlet Pipe50-70
31	101170031	Joint Inlet Pipe
32	101170032	Clamp Inlet Pipe40-60
33	101170033	Water Temprature Sensor
34	101170034	Cylinder Head Body
35	101170035	Cylinder Head Cover

FIG.102

02、 VALVE SWING ARM COMP&VALVE

S/N	Parts Number	Part Name And Standard
1	102170001	Valve Intake
2	102170002	Valve Exhaust
3	102170003	Spring Valve Inner
4	102170004	Spring Valve Outer
5	102170005	Seat Valve Spring

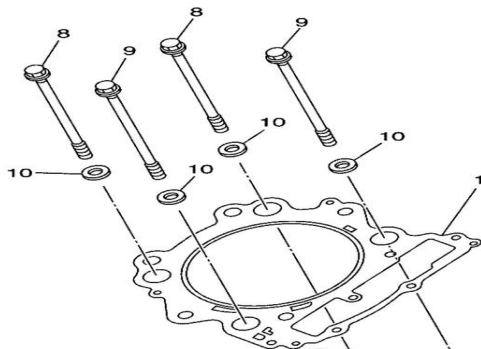




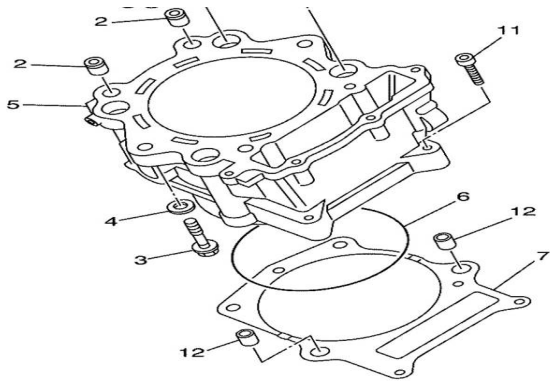
6	102170006	Seal Valve Stem
7	102170007	Retainer Valve Spring
8	102170008	Cotter Valve
9	102170009	Inlet Pipe Rocker Assy I
10	102170010	Inlet Pipe Rocker Assy II
11	102170011	Outlet Pipe Rocker Assy I
12	102170012	Outlet Pipe Rocker Assy II
13	102170013	Shaft Rocker I
14	102170014	Shaft Rocker III
15	102170015	Shaft Rocker II
16	102170016	O-Ring 8.1×2.5
17	101170023	Bolt M6×20
18	102170018	Washer

FIG.103

03、CYLINDER



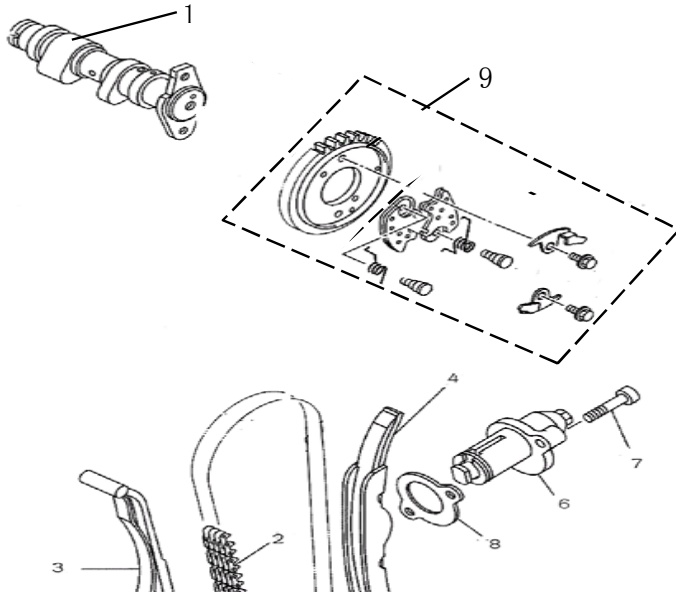
S/N	Parts Number	Part Name And Standard
1	103170001	Gylinder Cover Pad
2	103170002	Dowel Pin 12×15.7
3	103170003	Bolt M9×38.5
4	101170006	Washer 10×19×2
5	103170005	Cylinder Boldy Assy
6	103170006	O-Ring 105.7×2.8
7	103170007	Gasket, Cylinder
8	103170008	Bolt M10×108.5



9	103170009	Bolt M10×115
10	103170010	Washer 10.5×20×2.2
11	101170011	Bolt M6×40
12	103170012	Dowel Pin 14×15.7

FIG.104

04、CAMSHAFT CHAIN



S/N	Parts Number	Part Name And Standard
1	104170001	Camshaft Assy
2	104170002	Chain (92Rh2010-126M)
3	104170003	Guide Stopper 1
4	104170004	Guide Stopper 2
5	104170005	Bolt
6	104170006	Tensioner Assy Cam Chain
7	101170010	Bolt M6×25
8	104170008	Gasket Tensioner Case
9	104170009	Time Sprocket Wheel

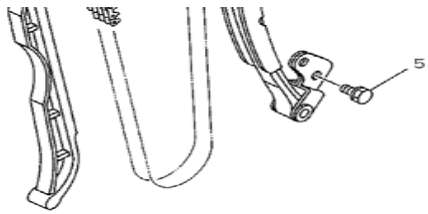
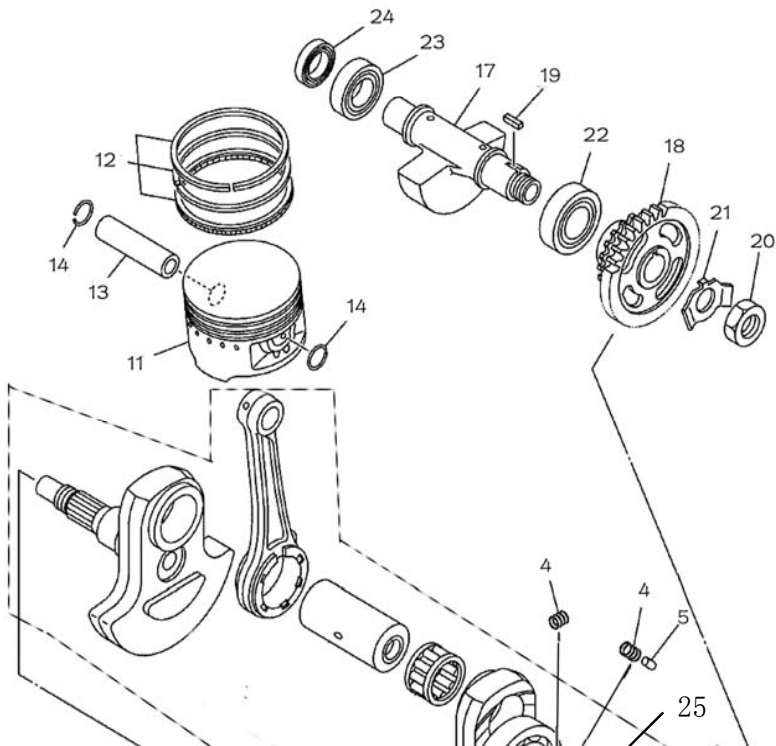
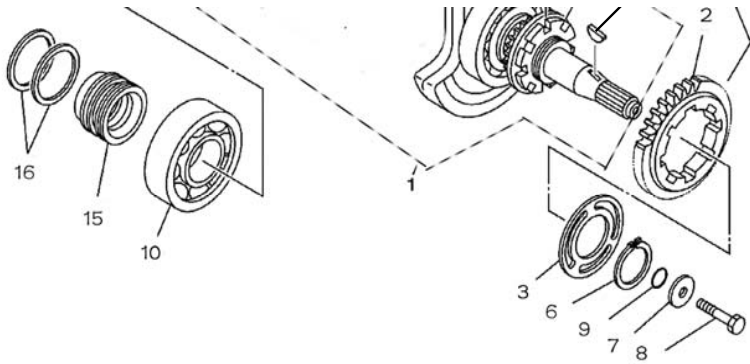


FIG.105

05. CRANKSHAFT PISTON



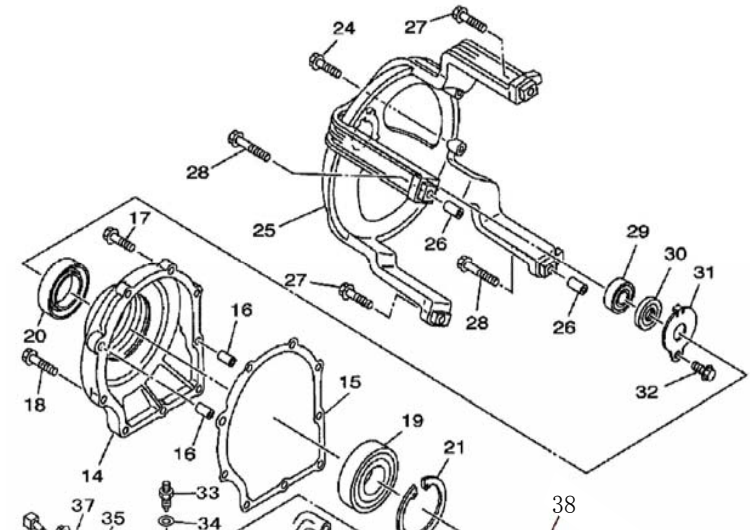
S/N	Parts Number	Part Name And Standard
1	105170001	Crankshaft Assy
2	105170002	Gear Drive
3	105170003	Washer Bearing Cover
4	105170004	Spring Compression
5	105170005	Pin Dowel6×9.4
6	105170006	Cirelip35
7	105170007	Washer 10×30×3.2
8	105170008	Bolt M10×40
9	105170009	O-Ring 16.1×3.1
10	105170010	Bearing
11	105170011	Piston
12	105170012	Piston Ring Comp
13	105170013	Piston Pin
14	105170014	Cirelip
15	105170015	Seal Ring Sheath
16	105170016	Seal Crank



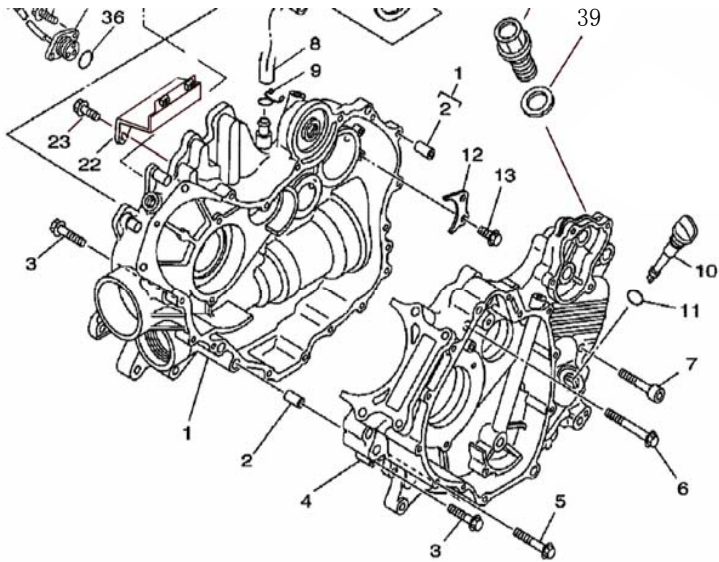
17	105170017	Weight 1
18	105170018	Balancer Weight Gear Comp.
19	105170019	Key Straight B5×12.4
20	105170020	Nut M18×1
21	105170021	Washer, Lock
22	105170022	Bearing6305
23	105170023	Bearing6304R
24	105170024	Oil Seal 20×30×7
25	105170025	Semicircle Key

FIG.106

06、CRANKCASE



S/N	Parts Number	Part Name And Standard
1	106170001	Crankcase Assy
2	106170002	Dowel Pin 10×15.7
3	106170003	Bolt M6×30
4	106170004	Crankcase Assy
5	106170005	Bolt M6×40
6	106170006	Bolt M6×55
7	106170007	Bolt M8×40
8	106170008	Pipe Breather 1
9	106170009	Clip
10	106170010	Plug Oil Level
11	106170011	O-Ring 20×2.3
12	106170012	Plate Bearing Cover



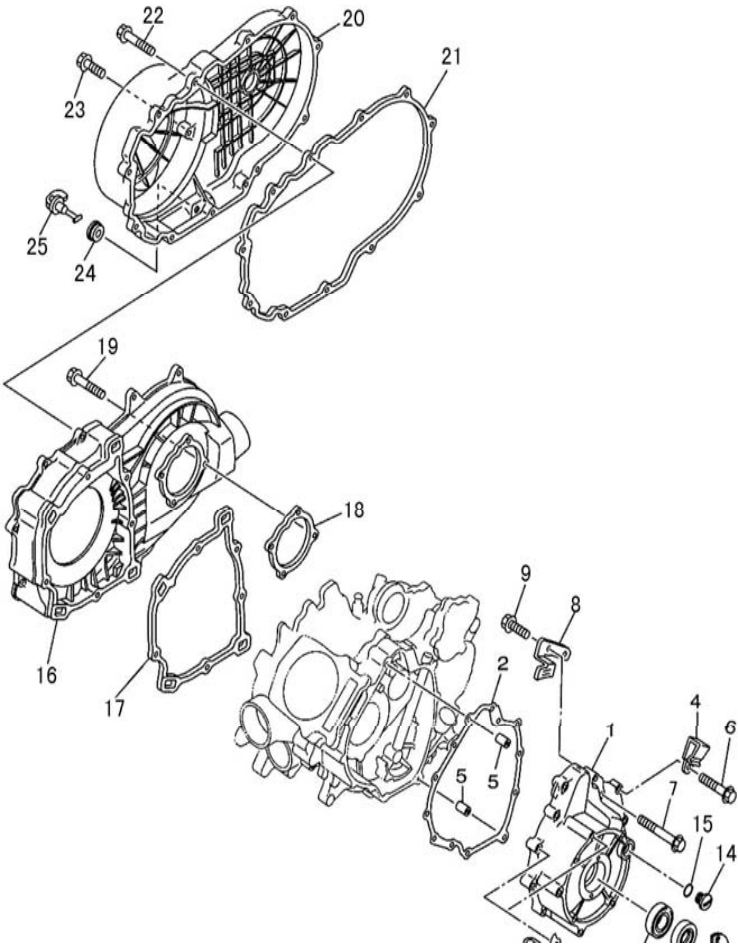
13	101170024	Bolt M6×14
14	106170014	Housing Bearing 1
15	106170015	Gasket Carburetor Cover 2
16	106170016	Dowel Pin 10×16
17	106170003	Bolt M6×30
18	106170005	Bolt M6×40
19	106170019	Bearing16010
20	106170020	Oil Seal35×65×8
21	106170021	Circlip 80
22	106170022	Bracket
23	106170023	Bolt M6×16
24	106170024	Bolt M6×20
25	106170025	Housing, Bearing
26	106170016	Dowel Pin 10×16
27	106170003	Bolt M6×30
28	106170028	Bolt M6×40
29	106170029	Bearing6201Z
30	106170030	Oil Seal 12×32×6
31	106170031	Plate Bearing Cover
32	201170009	Bolt M6×12
33	106170033	Gear Switch
34	106170034	Washer 10×16×1
35	106170035	Gear Show Assy
36	106170036	O-Ring 29.6×2.4
37	104170005	Bolt M6×16

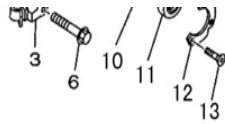
38	106170038	Parking State Bolt
39	106170039	Gasket14×20×1.5

FIG.107

07、CRANKCASE COVER 1

S/N	Parts Number	Part Name And Standard
1	107170001	Cover Crankcase 1
2	107170002	Gasket Crankcase Cover 1
3	107170003	Clamp
4	107170004	Clamp
5	106170002	Pin Dowel
6	106170003	Bolt M6×30
7	106170005	Bolt M6×40
8	107170008	Plate
9	101170024	Bolt M6×14
10	107170010	Bearing60/28
11	107170011	Oil Seal 28×52×8.2
12	107170012	Washer Thrust
13	107170013	Screw M5×16
14	107170014	Hand Hole Cover
15	101170004	O-Ring 13.4×2.35
16	107170016	Cover Crankcase 2
17	107170017	Clutch Crankcase Cushion I
18	107170018	Clutch Crankcase Cushion II
19	106170003	Bolt M6×30



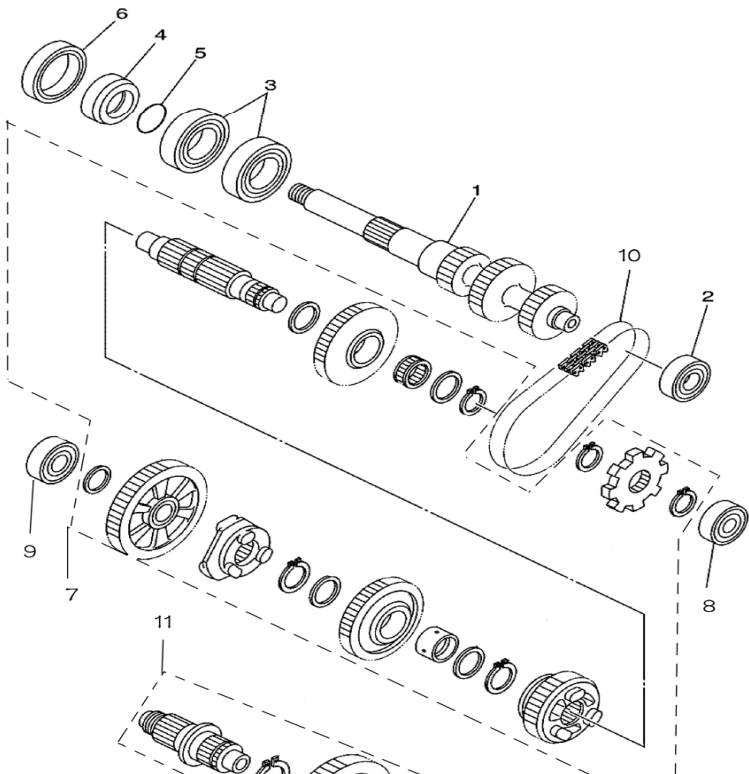


20	107170020	Cover Crankcase 3
21	107170021	Clutch Crankcase Cushion
22	107170022	Bolt M6×25
23	106170023	Bolt M6×16
24	107170024	Grommet
25	107170025	Plug, Drain

FIG.108

08、 TRANSMISSION

S/N	Parts Number	Part Name And Standard
1	108170001	Shaft, Secondary
2	108170002	Bearing6203
3	108170003	Bearing6006C3
4	108170004	Collar
5	108170005	O-Ring 26.1×2.4
6	108170006	Oil Seal 42×55×8
7	108170007	Middle Axle Assy
8	108170008	Bearing6202
9	108170009	Bearing6203Dla8
10	108170010	Chain (23Rh302-34Asm)
11	108170011	X Output Shaft
12	108170012	Bearing6303



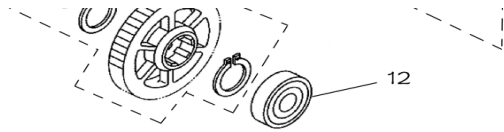
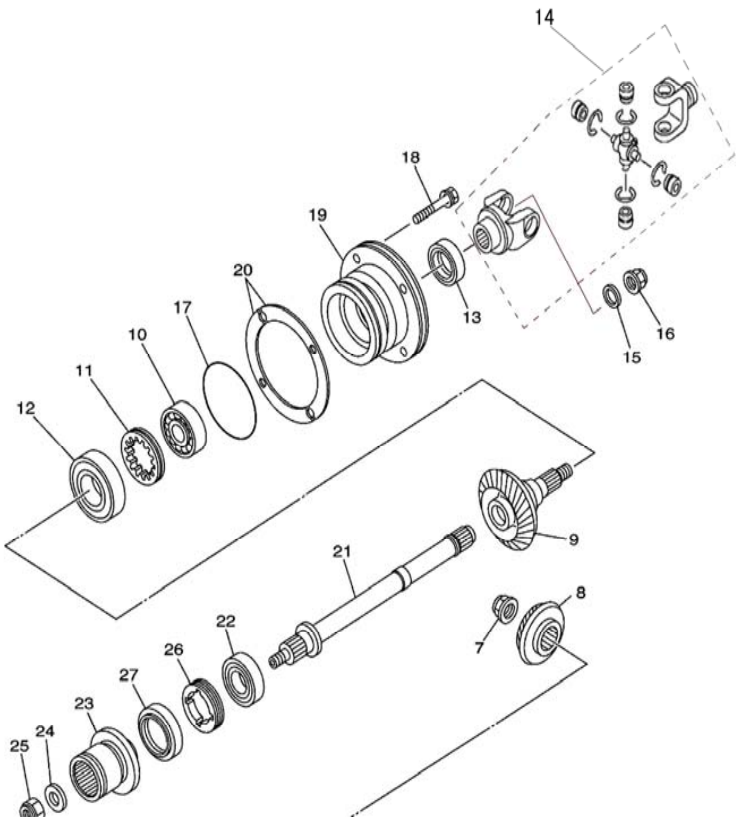
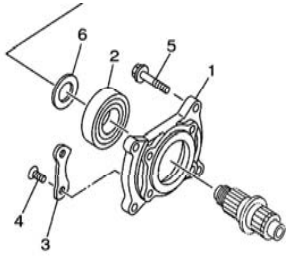


FIG.109

09. MIDDLE DRIVE GEAR

S/N	Parts Number	Part Name And Standard
1	109170001	Housing Bearing
2	105170022	Bearing6305
3	109170003	Plate Bearing Cover
4	109170004	Screw M8×24
5	109170005	Bolt M6×30
6	109170006	Washer 26×38× (0.10~0.60)
7	109170007	Nut M22×1
8	109170008	Middle Gear Comp.
9	109170009	Side Wimble Gear
10	109170010	Bearing6207
11	109170011	Locked Ring M60×1.5(左)
12	109170012	Bearing63/22
13	109170013	Oil Seal 30×46×8
14	109170014	Coupling
15	109170015	Washer 16.5×28×4
16	109170016	Nut M16
17	109170017	O-Ring 88×2.8
18	109170018	Bolt M8×30



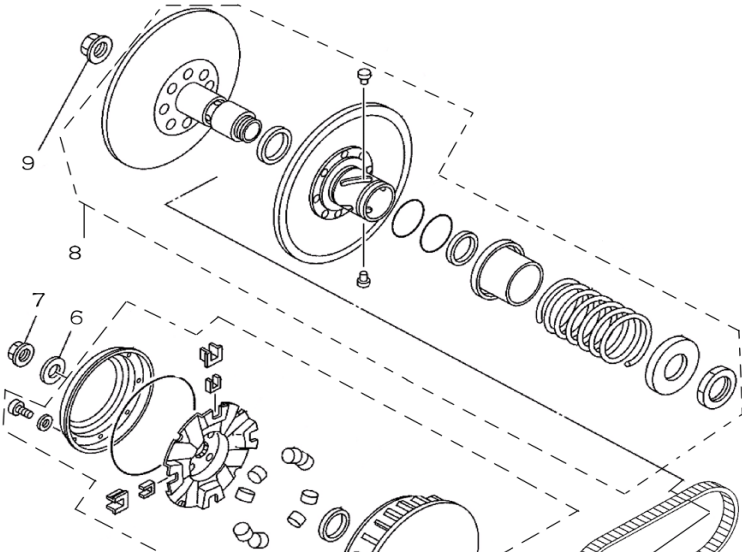


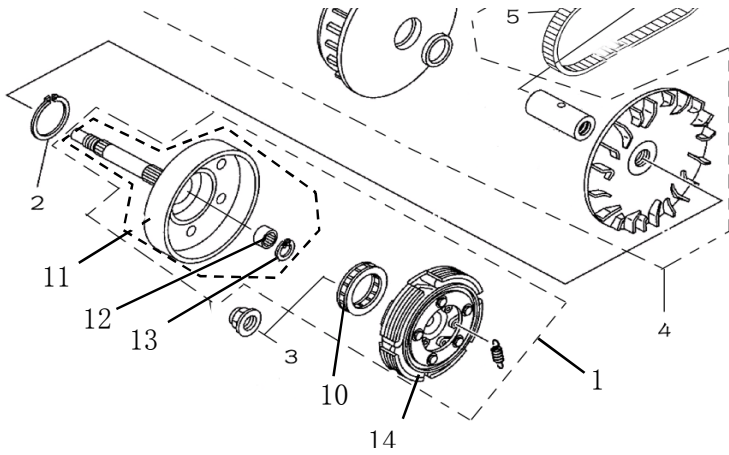
19	109170019	Housing, Bearing
20	109170020	Washer 26×38× (0.10~0.60)
21	109170021	Y Output Shaft
22	109170022	Bearing6205
23	109170023	Flange Coupling
24	109170024	Washer 14.2×32×5
25	109170025	Nut M14
26	109170026	Locked Ring M55×1.5(左)
27	109170027	Oil Seal 44×60×7

FIG.110

10、CLUTCH

S/N	Parts Number	Part Name And Standard
1	110170001	Original Clutch Parts
2	110170002	Cirelip 52
3	109170007	Nut M22×1
4	110170004	Cvt Original Clutch Parts
5	110170005	Belt
6	110170006	Washer 19.2×35×3.2
7	110170007	Nut M16×1
8	110170008	Cvt Hypo Clutch Parts
9	110170007	Nut M16×1
10	110170010	One-Way Machine
11	110170011	Clutch Cover
12	110170012	Needle Bearing Hk1812

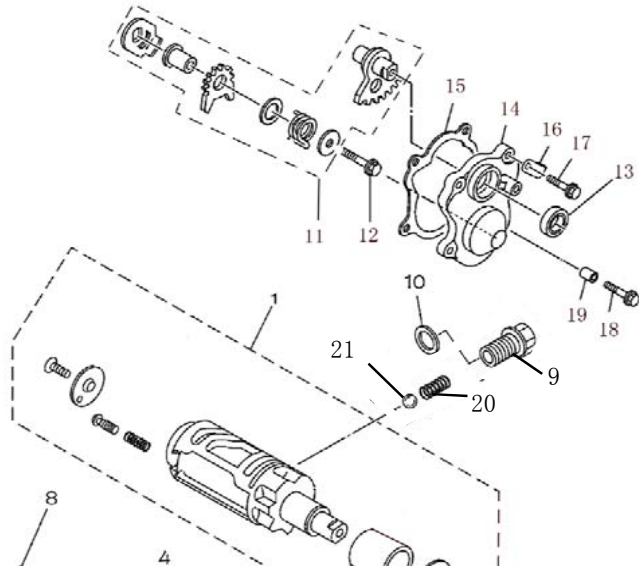




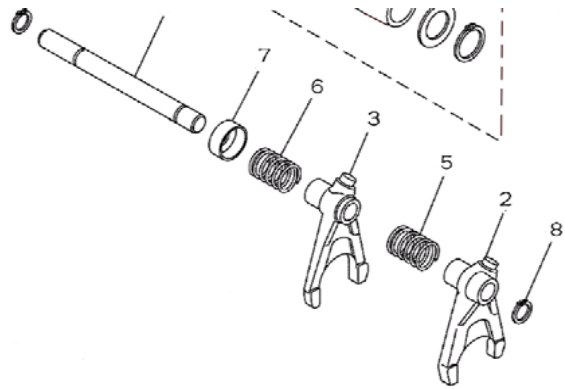
13	110170013	Circlip
14	110170014	Clutch Shoe

FIG.111

11、SHIFT CAM FORK



S/N	Parts Number	Part Name And Standard
1	111170001	Shift Cam Assy
2	111170002	R Fork
3	111170003	HI Fork
4	111170004	Fork Shaft
5	111170005	Spring Compression
6	111170006	Spring Compression
7	111170007	Cap Spring
8	111170008	Circlip 12
9	111170009	Gear Station Bolt
10	111170010	Gasket 14×22×1
11	111170011	Gear Rocker Main/Side Gear Comp
12	111170012	Bolt M6×35

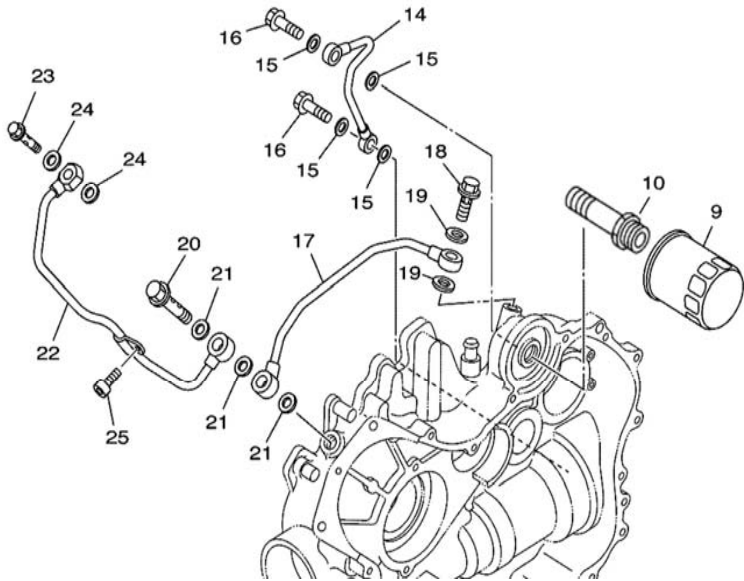


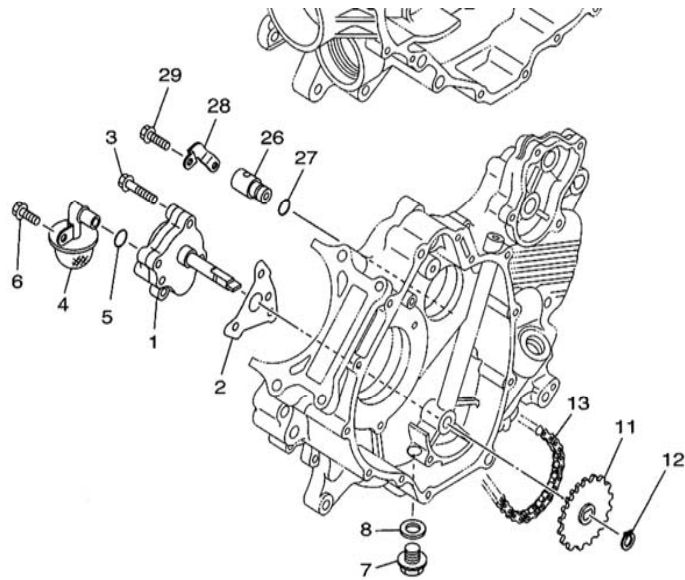
13	111170013	Oil Seal15×25×5
14	111170014	Gear Rocker Side Cover
15	111170015	Gear Rocker Side Cover Cushion
16	111170016	Wire Clip II
17	106170024	Bolt M6×20
18	106170003	Bolt M6×30
19	111170019	Dowel Pin 8×11.7
20	111170020	Gear Station Bolt Spring
21	111170021	Gear Station Bolt Ball

FIG.112

12、 OIL PUMP

S/N	Parts Number	Part Name And Standard
1	112170001	Oil Pump Assy
2	112170002	Gasket Pump Cover
3	106170005	Bolt M6×40
4	112170004	Strainer Housing Assy
5	112170005	O-Ring14×2.3
6	101170024	Bolt M6×14
7	112170007	Bolt M14×1.5-6H-16
8	112170008	Washet 14×22×1
9	112170009	Element Assy Oil Cleaner
10	112170010	Bolt Union
11	112170011	Sprocket Driven
12	112170012	Circlip 11

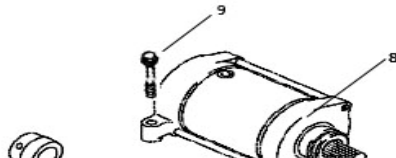




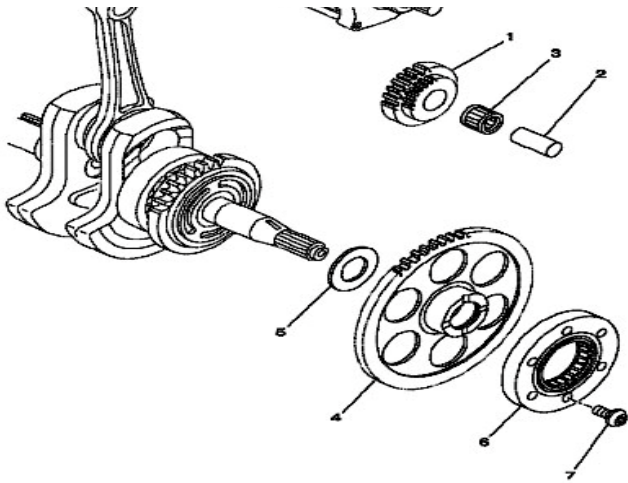
13	112170013	Oil Pump Chain
14	112170014	Pipe Delivery 1
15	112170015	Washet 8.4×15×2
16	112170016	Bolt I M8×20
17	112170017	Pipe Delivery 2
18	112170018	Bolt II M14×28.5
19	106170039	Washet 14×20×1.5
20	112170020	Bolt IV M14×50
21	106170039	Washet 14×20×1.5
22	112170022	Pipe Delivery 3
23	112170023	Bolt III M14×50
24	112170024	Washet 10.2×16×1.2
25	112170025	Bolt M6×12
26	112170026	Relief Valve Assy
27	112170027	O-Ring 10×2.45
28	112170028	Plate
29	201170009	Bolt M6×12

FIG.113

13、STARTER CLUTCH



S/N	Parts Number	Part Name And Standard
1	113170001	Pair Gearwheel
2	113170002	Pair Gearwheel Shaft
3	113170003	Bearingkbk121618
4	113170004	Gear With Plate Type

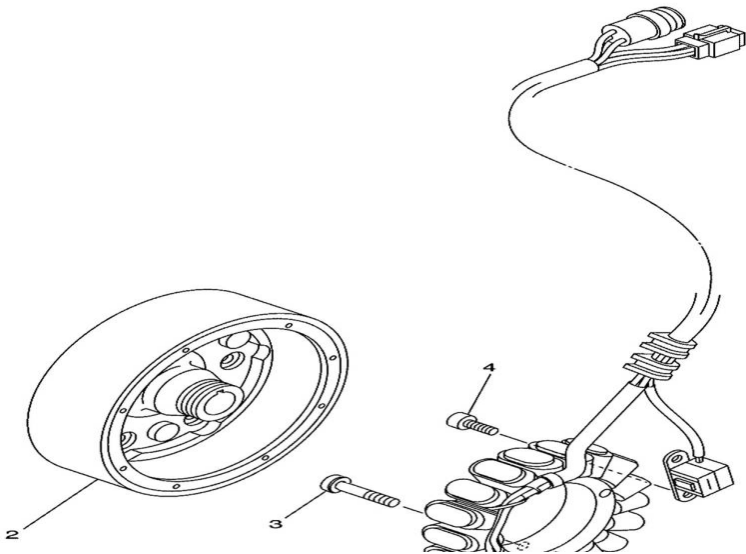


5	113170005	Washer 25×39×1
6	113170006	Sprag Clutch
7	113170007	Bolt M8×16
8	113170008	Utv Motor Assy
9	106170003	Bolt M6×30

FIG.114

14、 GENERATOR

S/N	Parts Number	Part Name And Standard
1	114170001	Stator Assy
2	114170002	Rotor Assy
3	114170003	Screw Pan Head
4	114170004	Bolt M5×12



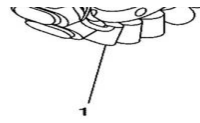


FIG.115

15、 WATER PUMP

S/N	Parts Number	Part Name And Standard
1	115170001	Water Pump Assy
2	115170002	Bolt M6×45
3	115170003	Bolt M6×65
4	115170004	Bolt M6×10
5	115170005	Water Pipe II
6	115170006	O-Ring 20.7×2.6
7	115170007	Water Pipe III
8	115170008	Water Pipe Clip
9	115170009	Cylinder Inlet Water Joint
10	101170023	Bolt M6×20
11	115170011	O-Ring 33.4×2.4
12	115170012	Water Pipe I
13	115170013	Clip II
14	115170014	Pipe Clip II
15	106170024	Bolt M6×20
16	115170016	Save Temprature Cover

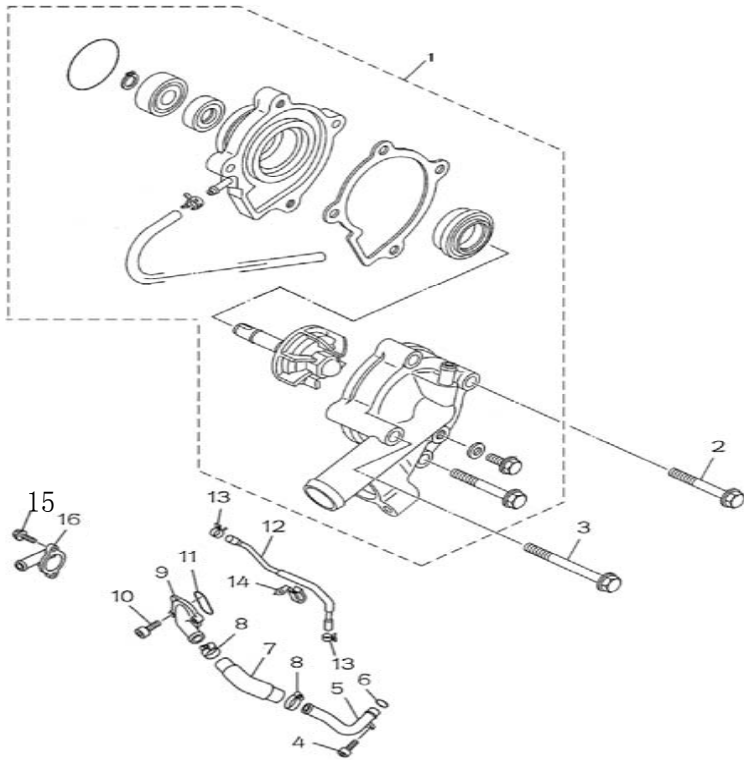
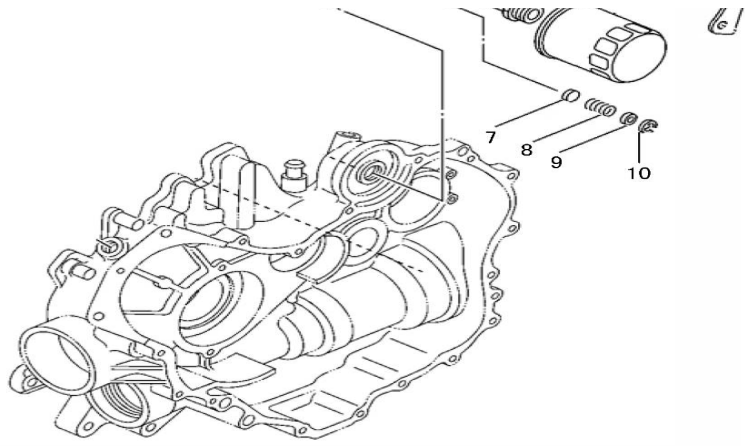


FIG.116

16、 CARBURETOR



7	117170007	Washer 10×2
8	117170008	Unilateralism Valve Spring Φ0.8×19×Φ7.9
9	117170009	Washer 6×11×1.5
10	117170010	Circlip 12
11	117170011	Oil Pipe Iv
12	117170012	Outlet Oil Pipe V

FIG.118

18、 FAN

S/N	Parts Number	Part Name And Standard
1	106170024	Bolt M6×20
2	118170002	Motherboard
3	118170003	Washer 6.2×11.8×1
4	118170004	O-Ring 64.4×3.1
5	118170005	Fan Station Plate
6	118170006	Pulley Starter
7	118170007	Vane Wheel
8	118170008	Outer Cover

